



ZHEJIANG A-CRYSTAL
ELECTRONIC TECHNOLOGY CO., LTD.



Issue	December 21, 2024
Rev.	1.0
Page	5

CRYSTAL UNIT SPECIFICATIONS

客户批准 Customer Approval

(请批准后回签一份 Please Return A Copy With Approval)

Customer	
Customer P/N	
Product	CRYSTAL RESONATORS
Spec	PMX206/25.600~307.20KHz
A-Crystal P/N	AM2 Series

Drawn	Checked	Approved
<i>Caoqiaobang</i>	<i>Fengying</i>	<i>Tanqlong</i>



1. ELECTRICAL SPECIFICATIONS

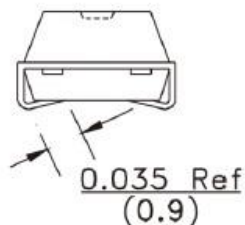
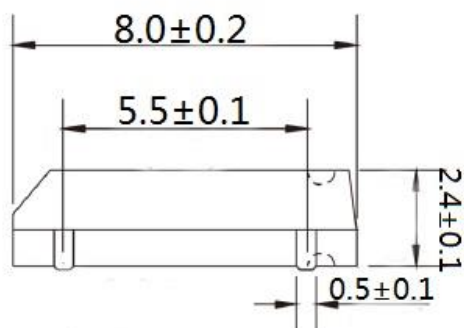
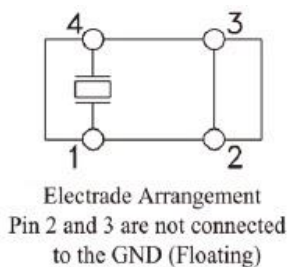
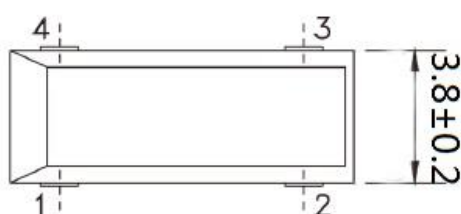
1.1 Hold Type: PMX-206

Parameter	Symb	Electrical Specification				Condition
		Min	Type	Max	Units	
Frequency Range	F ₀	25.60	32.768	307.20	KHz	
Frequency Tolerance	$\Delta f/f_0$	± 5	± 20	± 100	PPM	REF TO 25°C
Temperature Coefficient	K	-0.034 \pm 0.006			ppm/(°C) ²	
Turnover Temperature	T _{TO}	20	25	30	°C	
Operating Temperature Range	T _{OP}	-20 -40	-	+70 +85	°C	
Storage Temperature Range	T _{ST}	-55	-	125	°C	
Quality Factor	Q	75,000			Typ	
Series Resistance	R ₁	35	-	50	K Ω	REF TO 25°C
Shunt Capacitance	C ₀	0.9	1.35	2.0	Typ	0.9~2.0PF
Motional Capacitance	C ₁	-	2.3	-	Ff TYP	
Load Capacitance	C _L	6	12.5	30	PF	
Insulator Resistance	IR	500	-	-	M Ω	DC100V \pm 15V
Drive Level	DL	-	-	1.0	μ W	
Capacitance ratio	R	-	450	-	TYP	
Aging Rate	Fa	± 3	-	± 5	PPM	at 25°C \pm 3°C
Package type	8.0*3.8*2.4					

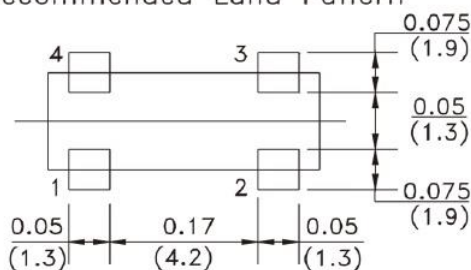
注：ROHS 豁免 ROHS exemption, 高温高铅 high lead and high temperature;



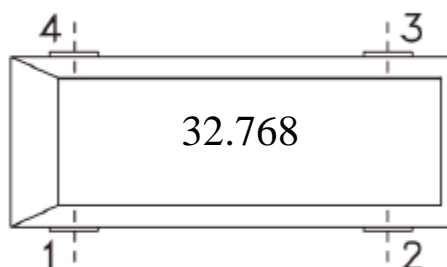
1.2 Dimension (Unit: mm)



Recommended Land Pattern

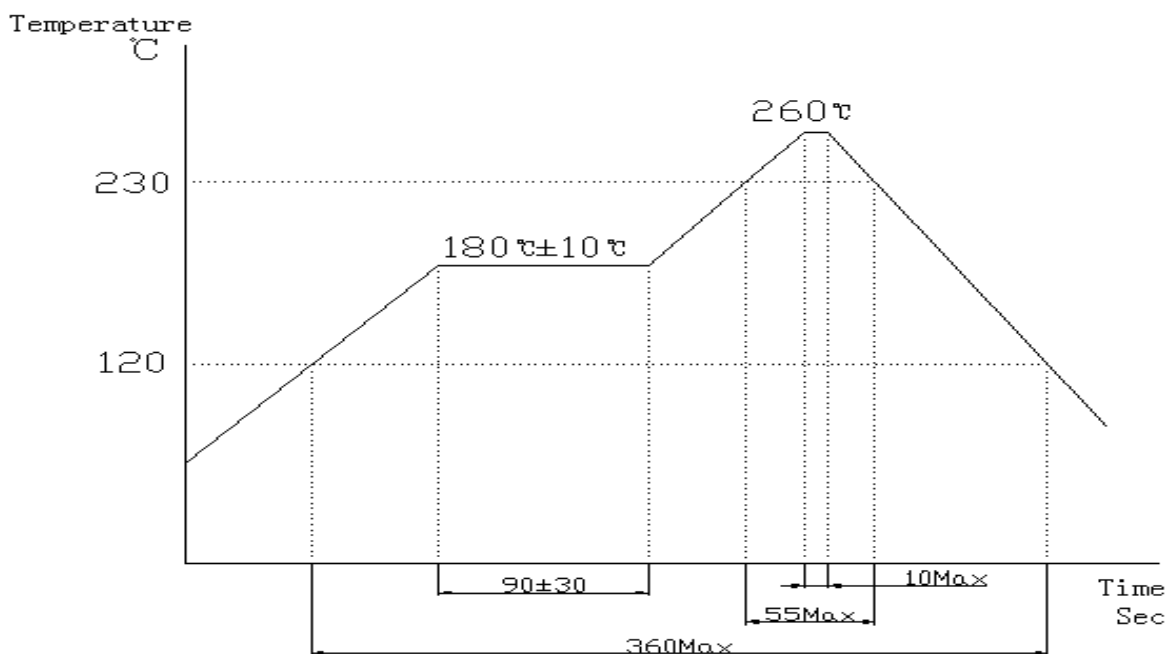


1.3 Marking



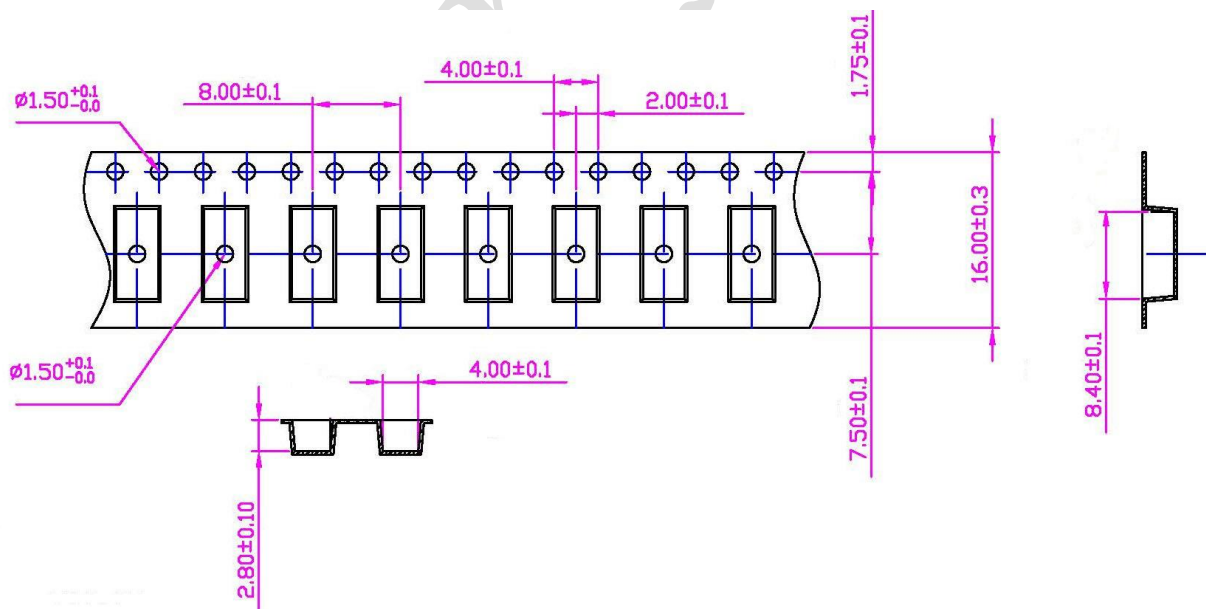


1.4 Reflow solder



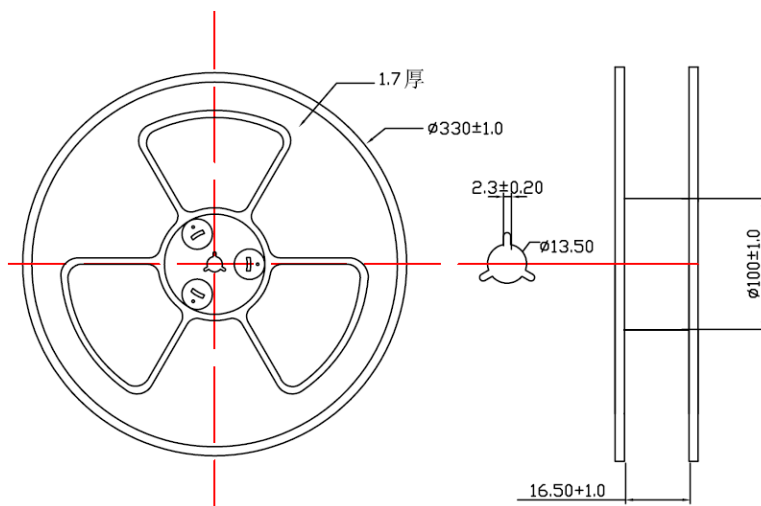
2. Packing

2.1 Packing Method Sketch Map (Unit: mm)





2.2 Reel Dimensions (Unit: mm)



Pieces per reel: 3000/reel

3. Products Code

3.1 SMD Crystal Resonators/KHz

公司代码 浙江一晶	产品型号 (2位)	工作频率 (全频点位数)	负载电容 (1位字母)	调整频差 (1位字母)	温度频差 (1位字母)	工作温度 (1位字母)	其它
A-crystal Logo	Package	Nominal Frequency	Load Capacitance	Frequency Tolerating	Freq Temp Characteristics	Operating Temperature Range	Others
A	M2 (PMX206)	32.768K	无穷大=000	01=5PPM	T=-0.034± 0.006ppm/(°C) ²	1=0~50	Special
		40.000K	9PF=009	02=10PPM	A=10PPM	2=-10~60	
			12PF=012	03=20PPM	B=15PPM	3=-10~70	
			12.5PF=125	04=30PPM	C=20PPM	4=-20~70	
				05=40PPM	D=25PPM	5=-30~85	
				06=50PPM	E=30PPM	6=-40~85	
					F=50PPM	7=-40~105	
						8=-40~125	