



Issue	January 4, 2025
Rev.	1.0
Page	5

CRYSTAL UNIT SPECIFICATIONS

客户批准 Customer Approval

(请批准后回签一份 Please Return A Copy With Approval)

Customer	
Customer P/N	
Product	CRYSTAL RESONATORS
Spec	PMX206/8.000~54.000MHz
A-Crystal P/N	AM2 Series

Drawn	Checked	Approved
<i>Caoqiaobang</i>	<i>Fengying</i>	<i>Tanqlong</i>



ZHEJIANG A-CRYSTAL

ELECTRONIC TECHNOLOGY CO., LTD.



1. ELECTRICAL SPECIFICATIONS

1.1 Hold Type: PMX-206

No.	Item	Symb	Electrical Specification				Remark
			Min.	Type	Max.	Units	
1	Nominal Frequency	F0	8.000	-	54.00	MHz	
2	Mode of Vibration	■ Fundamental △3rd Overtone △5th Overtone					
3	Frequency Tolerance	$\Delta F/F0$	± 10	± 30	± 50	ppm	at 25°C±3°C
4	Operating Temperature Range	T _{OPR}	-20 -40	-	+70 +85	°C	
5	Frequency Stability	T _C	± 30	-	± 50	ppm	
6	Storage Temperature	T _{STG}	-55	-	+125	°C	
7	Load capacitance	CL	6~specify			pF	
8	Equivalent Series Resistance	ESR	Seepage 1			Ω	
9	Drive Level	DL	-	100	200	μW	
10	Insulation Resistance	IR	500	-	-	MΩ	At 100V _{DC}
11	Shunt Capacitance	Co	-	-	5	pF	
12	Aging Per Year	Fa	-5	-	+5	ppm	First Year
13	Package type	8.0*3.8*2.4					

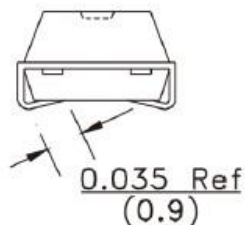
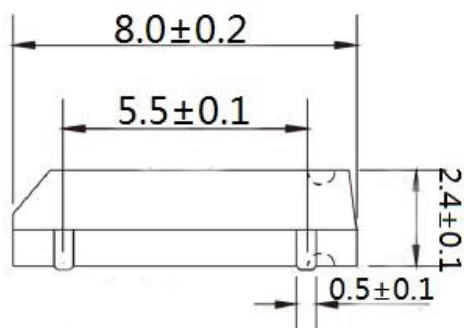
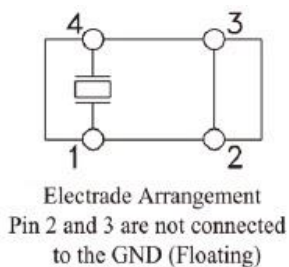
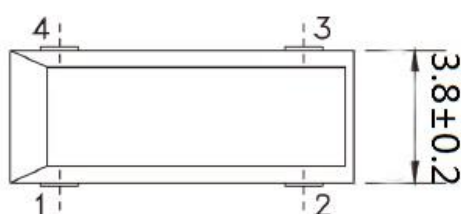
Seepage1

Frequency Range(MHz)	Mode of Vibration	ESR(Ω) Max
7.3728≤F0<10.000	AT Fundamental	≤200
10.000≤F0<12.000	AT Fundamental	≤150
12.000≤F0<16.000	AT Fundamental	≤100
16.000≤F0<20.000	AT Fundamental	≤80
20.000≤F0<30.000	AT Fundamental	≤60
30.000≤F0<54.000	AT Fundamental	≤40

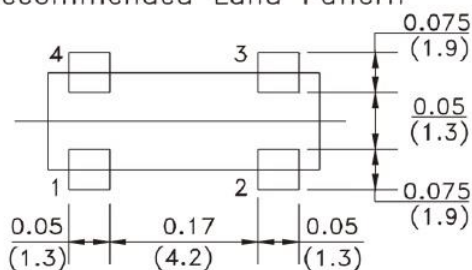
注: ROHS 豁免 ROHS exemption, 高温高铅 high lead and high temperature;



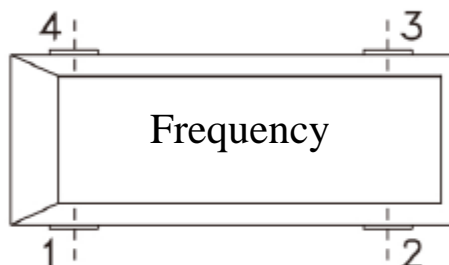
1.2 Dimension (Unit: mm)



Recommended Land Pattern

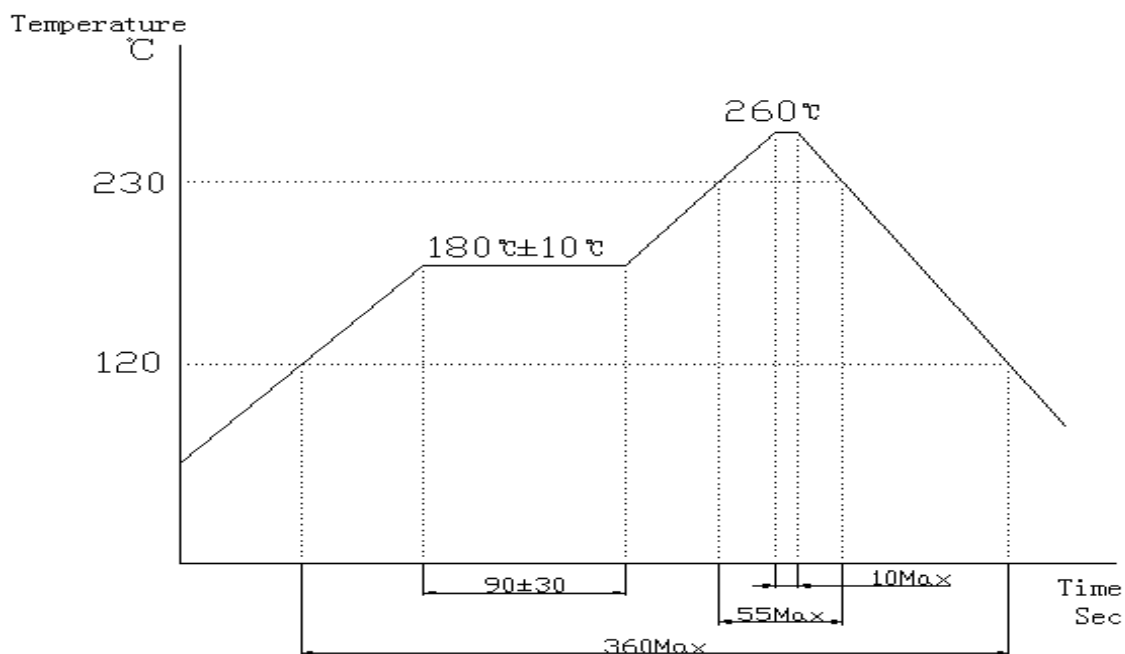


1.3 Marking



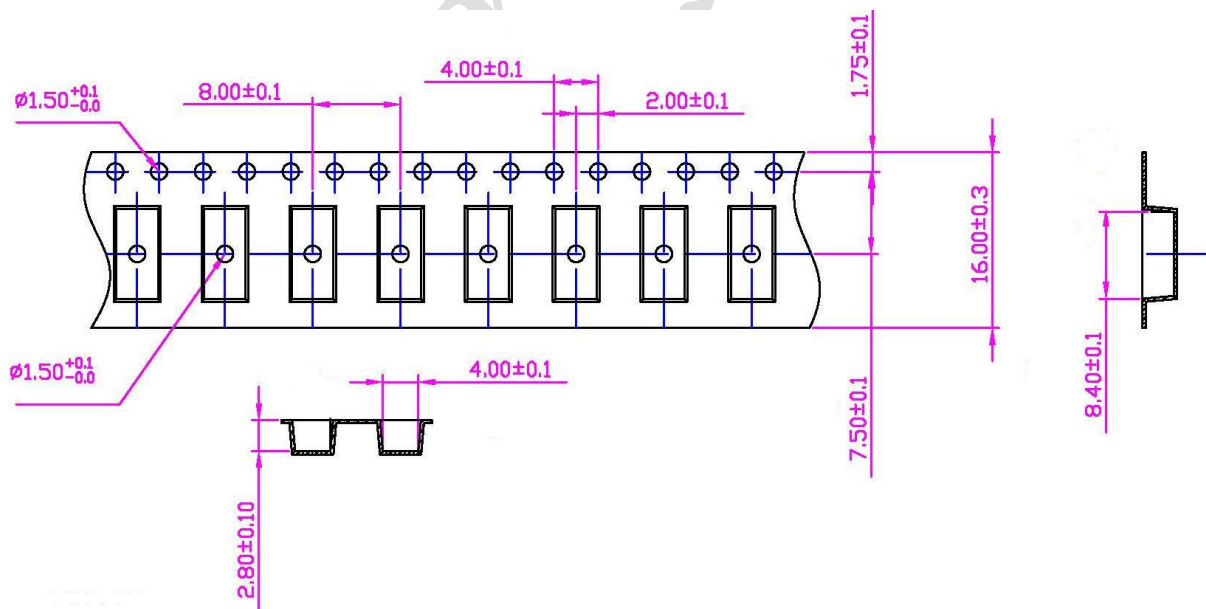


1.4 Reflow solder



2. Packing

2.1 Packing Method Sketch Map (Unit: mm)

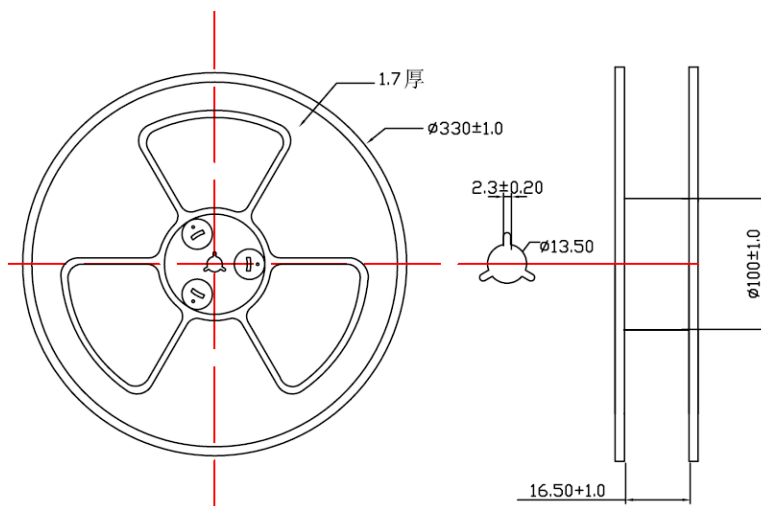




ZHEJIANG A-CRYSTAL
ELECTRONIC TECHNOLOGY CO., LTD.



2.2 Reel Dimensions (Unit: mm)



Pieces per reel: 3000/reel

3. Products Code

3.1 SMD Crystal Resonators/MHz

公司代码 浙江一晶	产品型号 (2位)	工作频率 (全频点位数)	负载电容 (1位字母)	调整频差 (1位字母)	温度频差 (1位字母)	工作温度 (1位字母)	其它
A-crystal Logo	Package	Nominal Frequency	Load Capacitance	Frequency Tolerating	Freq Temp Characteristics	Operating Temperature Range	Others
A	M2 (PMX206)	8.000M	无穷大=000	01=5PPM	T=-0.034± 0.006ppm/(°C) ²	1=0~50	Special
		12.000M	9PF=009	02=10PPM	A=10PPM	2=-10~60	
			12PF=012	03=20PPM	B=15PPM	3=-10~70	
			12.5PF=125	04=30PPM	C=20PPM	4=-20~70	
				05=40PPM	D=25PPM	5=-30~85	
				06=50PPM	E=30PPM	6=-40~85	
					F=50PPM	7=-40~105	
						8=-40~125	