



| | |
|-------|-------------------|
| Issue | December 21, 2024 |
| Rev. | 1.0 |
| Page | 5 |

CRYSTAL UNIT SPECIFICATIONS

客户批准 Customer Approval

(请批准后回签一份 **Please Return A Copy With Approval**)

| | |
|----------------------|----------------------------------|
| Customer | |
| Customer P/N | |
| Product | CRYSTAL RESONATORS |
| Spec | PMX206FA/25.600~307.20KHz |
| A-Crystal P/N | AMF Series |

| | | |
|--------------------|-----------------|-----------------|
| Drawn | Checked | Approved |
| <i>Caoqiaobang</i> | <i>Fengying</i> | <i>Tanqlong</i> |



ZHEJIANG A-CRYSTAL

ELECTRONIC TECHNOLOGY CO., LTD.



1. ELECTRICAL SPECIFICATIONS

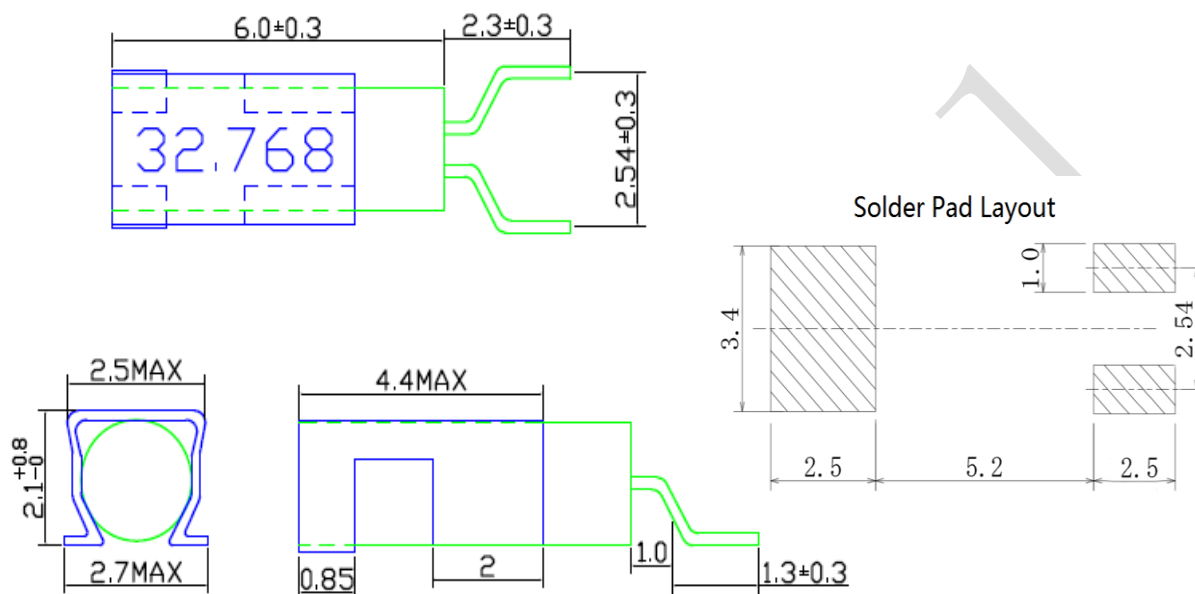
1.1 Hold Type: PMX-206FA

| Parameter | Symb | Electrical Specification | | | | Condition |
|-----------------------------|-----------------|--------------------------|--------|------------|-----------------------|-------------|
| | | Min | Type | Max | Units | |
| Frequency Range | F ₀ | 25.60 | 32.768 | 307.20 | KHz | |
| Frequency Tolerance | $\Delta f/f_0$ | ±5 | ±20 | ±100 | PPM | REF TO 25°C |
| Temperature Coefficient | K | -0.034±0.006 | | | ppm/(°C) ² | |
| Turnover Temperature | T _{TO} | 20 | 25 | 30 | °C | |
| Operating Temperature Range | T _{OP} | -20 -40 | - | +70 +85 | °C | |
| Storage Temperature Range | T _{ST} | -55 | - | 125 | °C | |
| Quality Factor | Q | 60,000 | | | Typ | |
| Series Resistance | R ₁ | 35 | - | 50 | KΩ | REF TO 25°C |
| Shunt Capacitance | C ₀ | 0.9 | 1.35 | 2.0 | Typ | 0.9~2.0PF |
| Motional Capacitance | C ₁ | - | 2.3 | - | Ff TYP | |
| Load Capacitance | C _L | 6 | 12.5 | 30 | PF | |
| Insulator Resistance | IR | 500 | - | - | MΩ | DC100V±15V |
| Drive Level | DL | - | - | 1.0 | μW | |
| Capacitance ratio | R | - | 450 | - | TYP | |
| Aging Rate | Fa | ±3 | | ±5 | PPM | at 25°C±3°C |
| Package type | 8.0*2.1*2.7 | | | | | |

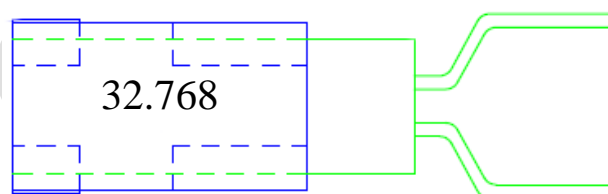
注：ROHS 豁免 ROHS exemption, 高温高铅 high lead and high temperature;



1.2 Dimension (Unit: mm)

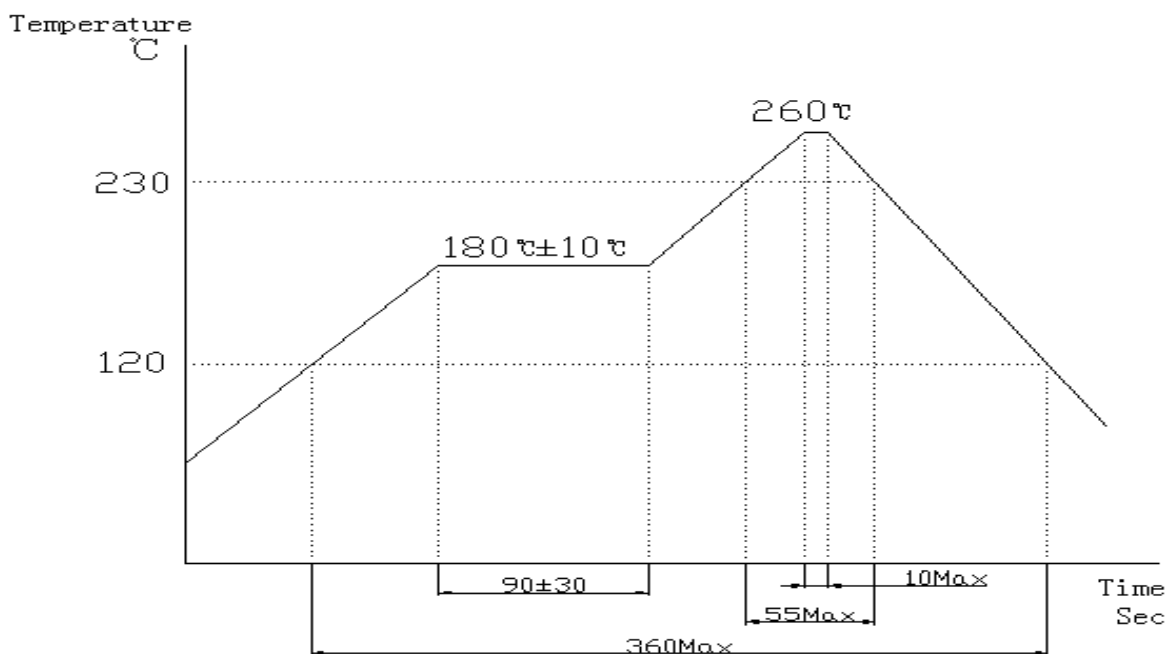


1.3 Marking



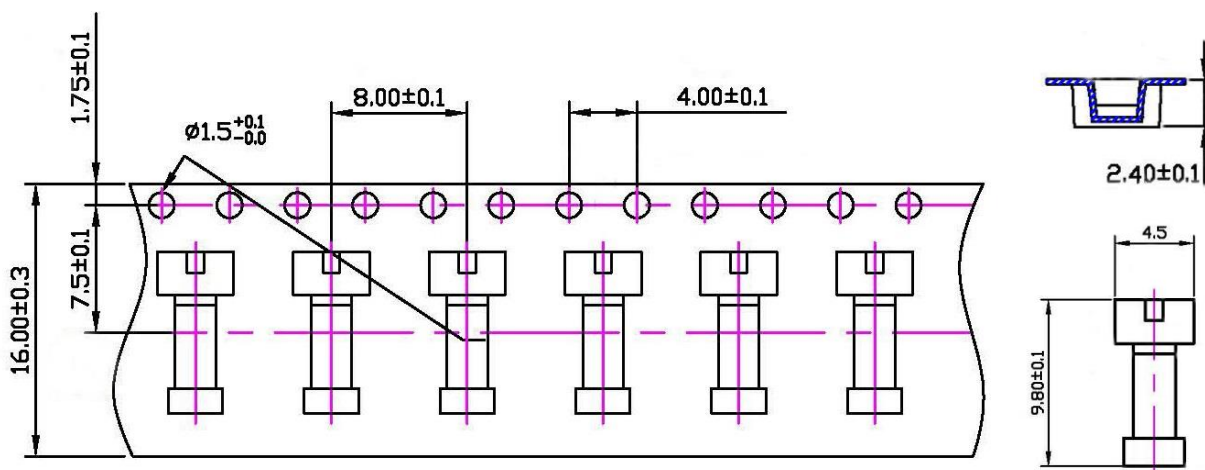


1.4 Reflow solder



2. Packing

2.1 Packing Method Sketch Map (Unit: mm)

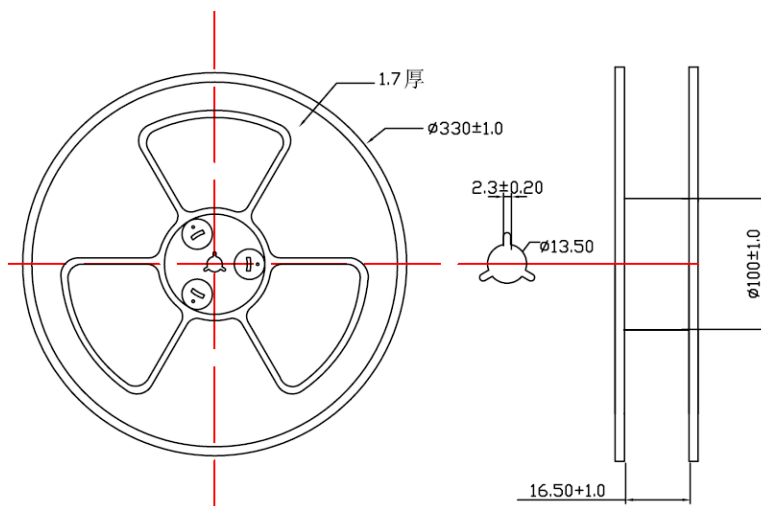




ZHEJIANG A-CRYSTAL
ELECTRONIC TECHNOLOGY CO., LTD.



2.2 Reel Dimensions (Unit: mm)



Pieces per reel: 3000/reel

3. Products Code

3.1 SMD Crystal Resonators/KHz

| 公司代码 浙江一晶 | 产品型号 (2位) | 工作频率 (全频点位数) | 负载电容 (1位字母) | 调整频差 (1位字母) | 温度频差 (1位字母) | 工作温度 (1位字母) | 其它 |
|-------------------|------------------|----------------------|---------------------|-------------------------|---|-----------------------------------|---------|
| A-crystal Logo | Package | Nominal Frequency | Load Capacitance | Frequency Tolerating | Freq Temp Characteristics | Operating Temperature Range | Others |
| A | MF (PMX206FA) | 32.768K | 无穷大=000 | 01=5PPM | T=-0.034± 0.006ppm/(°C) ² | 1=0~50 | Special |
| | | 40.000K | 9PF=009 | 02=10PPM | A=10PPM | 2=-10~60 | |
| | | | 12PF=012 | 03=20PPM | B=15PPM | 3=-10~70 | |
| | | | 12.5PF=125 | 04=30PPM | C=20PPM | 4=-20~70 | |
| | | | | 05=40PPM | D=25PPM | 5=-30~85 | |
| | | | | 06=50PPM | E=30PPM | 6=-40~85 | |
| | | | | | F=50PPM | 7=-40~105 | |
| | | | | | | 8=-40~125 | |
| | | | | | | | |
| | | | | | | | |
| | | | | | | | |