



Issue	December 21, 2024
Rev.	1.0
Page	5

CRYSTAL UNIT SPECIFICATIONS

客户批准 Customer Approval

(请批准后回签一份 **Please Return A Copy With Approval**)

Customer	
Customer P/N	
Product	CRYSTAL RESONATORS
Spec	HC-49SMDa/6.7458~33.900M
A-Crystal P/N	AH7 Series

Drawn	Checked	Approved
<i>Caoqiang</i>	<i>Fengying</i>	<i>Tanlong</i>



ZHEJIANG A-CRYSTAL

ELECTRONIC TECHNOLOGY CO., LTD.



1. ELECTRICAL SPECIFICATIONS

1.1 Hold Type: HC-49SMDa

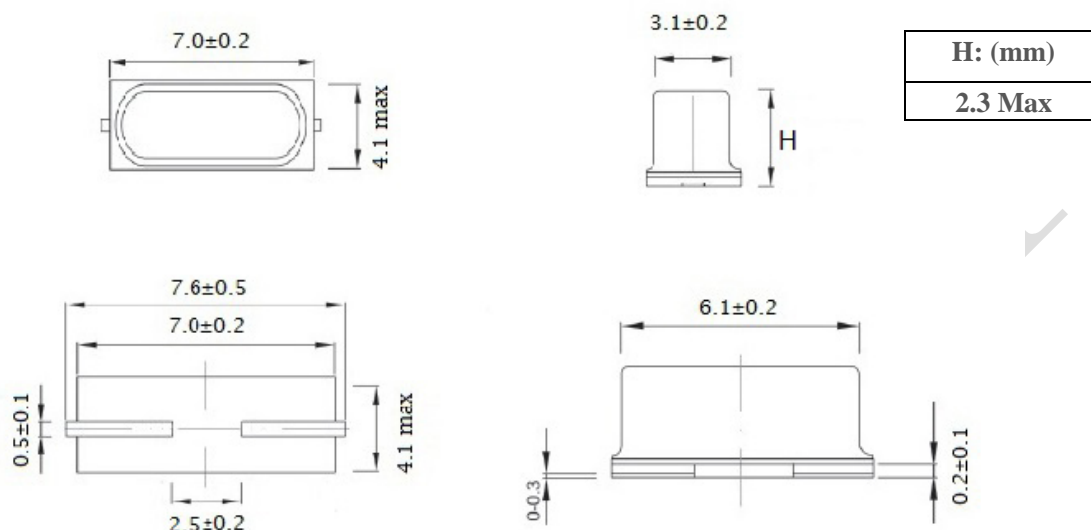
No.	Item	Symb	Electrical Specification				Remark
			Min.	Type	Max.	Units	
1	Nominal Frequency	F0	6.7458		33.900	MHz	
2	Mode of Vibration		■ Fundamental △3rd Overtone △5th Overtone				
3	Frequency Tolerance	$\Delta F/F0$	±10	±30	±50	ppm	at 25°C±3°C
4	Operating Temperature Range	T _{OPR}	-20 -40	-	+70 +85	°C	
5	Frequency Stability	T _C	±30	-	±50	ppm	
6	Storage Temperature	T _{STG}	-40	-	+85	°C	
7	Load capacitance	CL	6~specify			pF	
8	Equivalent Series Resistance	ESR	Seepage 1			Ω	
9	Drive Level	DL	-	-	10	μW	
10	Insulation Resistance	IR	500	-	-	MΩ	At 100V _{DC}
11	Shunt Capacitance	C ₀	-	-	7	pF	
12	Aging Per Year	F _a	-5	-	+5	ppm	First Year
13	Package type	7.2*4.1*2.0					

Seepage1

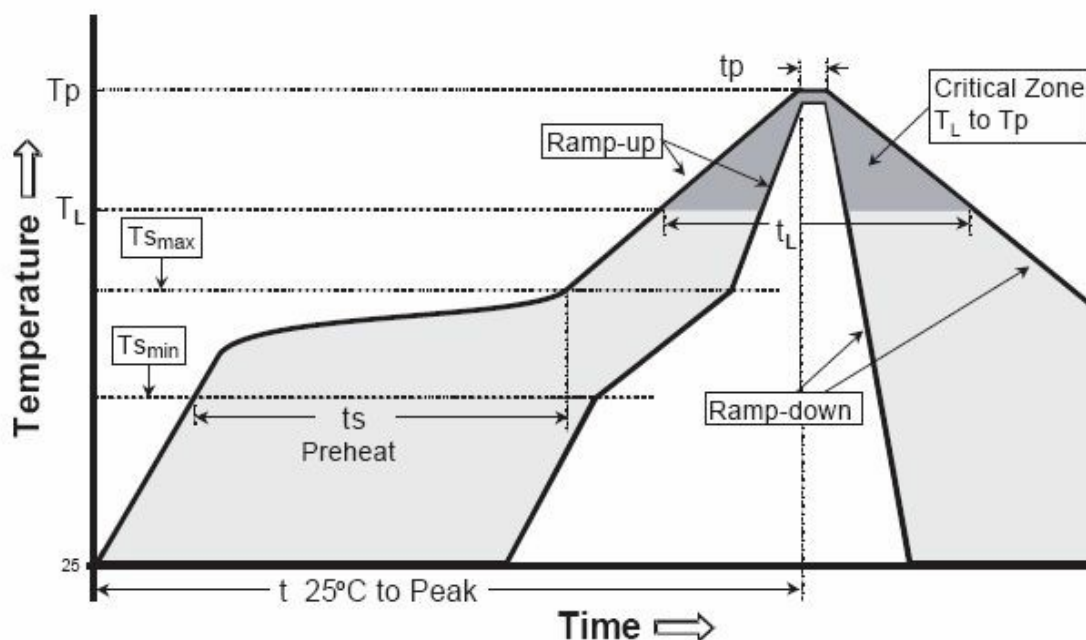
Frequency Range	Mode of Vibration	ESR (Ω) Max
6.7458MHz≤F0<7.999MHz	Fun□	<120
8.000MHz≤F0<11.999MHz	Fund	<90
12.000MHz≤F0<12.999MHz	Fund	<50
13.000MHz≤F0<32.000MHz	Fund	<40
32.10MHz≤F0<33.9.000MHz	Fund	<30



1.2 Dimension (Unit: mm)



1.3 The soldering requirements

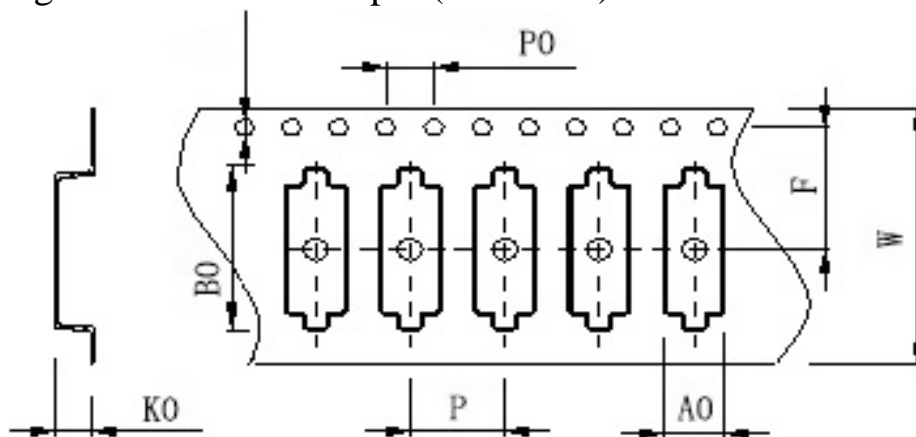


$T_s = 180^\circ\text{C} / 70 \sim 100\text{sec}$, $T_L = 240^\circ\text{C} / 20 \sim 50\text{sec}$, $T_p = 250^\circ\text{C} / 7 \sim 8\text{sec}$



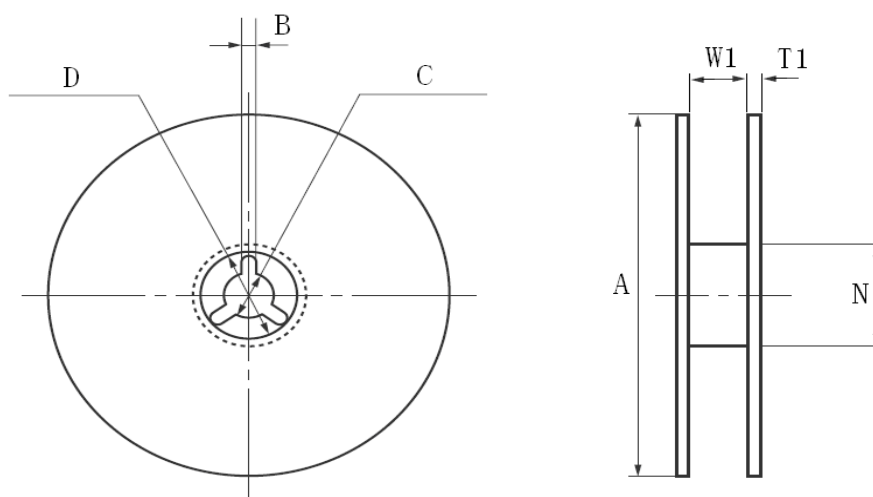
2. PACKING

2.1 Packing Method Sketch Map (Unit: mm)



W	F	P	PO	AO	BO	KO
16.00±0.30	7.5±0.10	8.00±0.10	4.00±0.10	4.70±0.10	9.5±0.10	2.50±0.10

2.2 Reel Dimensions (Unit: mm)



Pieces per reel: 3000/reel

A	B	C	D	N	W1	T1
φ 330±0.20	2.30±0.50	φ 13.5±0.50	φ 21.0±1.0	φ 99.0±1.00	16.5±1.00	2.1±0.20



ZHEJIANG A-CRYSTAL

ELECTRONIC TECHNOLOGY CO., LTD.



3. Products Code

3.1 SMD Crystal Resonators/MHz

公司代码 浙江一晶	产品型号 (2位)	工作频率 (全频点位数)	负载电容 (1位字母)	调整频差 (1位字母)	温度频差 (1位字母)	工作温度 (1位字母)	其它
A-crystal Logo	Package	Nominal Frequency	Load Capacitance	Frequency Tolerating	Freq Temp Characteristics	Operating Temperature Range	Others
A	H7 (HC-49SMDa)	8.000M	A = 12.5PF	01=5PPM	A=10PPM	1=0~50	Special
		12.000M	B = 10PF	02=10PPM	B=15PPM	2=-10~60	
			C = 9PF	03=20PPM	C=20PPM	3=-10~70	
			D = 8PF	04=30PPM	D=25PPM	4=-20~70	
			E = 7PF	05=40PPM	E=30PPM	5=-30~85	
			F = 6PF	06=50PPM	F=50PPM	6=-40~85	
			G = 16PF	07=100PPM	G=100PPM	7=-40~105	
			H = 18PF			8=-40~125	
			J = 20PF				
			K = 22PF				
			L = 30PF				