



Issue	December 21, 2024
Rev.	1.0
Page	5

CRYSTAL UNIT SPECIFICATIONS

客户批准 Customer Approval

(请批准后回签一份 Please Return A Copy With Approval)

Customer	
Customer P/N	
Product	CRYSTAL RESONATORS
Spec	PMX307/32.768K
A-Crystal P/N	AMP Series

Drawn	Checked	Approved
<i>Caogaobang</i>	<i>Fengying</i>	<i>Tanqlong</i>



1. ELECTRICAL SPECIFICATIONS

1.1 Hold Type: PMX-307

Parameter	Symb	Electrical Specification				Condition
		Min	Type	Max	Units	
Frequency Range	F ₀		32.768		KHz	
Frequency Tolerance	$\Delta f/f_0$	± 5	± 20	± 100	PPM	REF TO 25°C
Temperature Coefficient	K	-0.034 ± 0.006			ppm/(°C) ²	
Turnover Temperature	T _{TO}	20	25	30	°C	
Operating Temperature Range	T _{OP}	-20 -40	-	+70 +85	°C	
Storage Temperature Range	T _{ST}	-55	-	125	°C	
Quality Factor	Q	40,000			Typ	
Series Resistance	R ₁	-	-	70	KΩ	REF TO 25°C
Shunt Capacitance	C ₀	0.9	1.6	2.0	Typ	0.9~2.0PF
Motional Capacitance	C ₁	-	3.0	-	Ff TYP	
Load Capacitance	C _L	-	12.5	-	PF	
Insulator Resistance	IR	500	-	-	MΩ	DC100V±15V
Drive Level	DL	-	0.1	1.0	μW	
Capacitance ratio	R	-	450	-	TYP	
Aging Rate	Fa	± 5	-	± 5	PPM	at 25°C ±3°C
Package type	7.5*3.2*2.5					

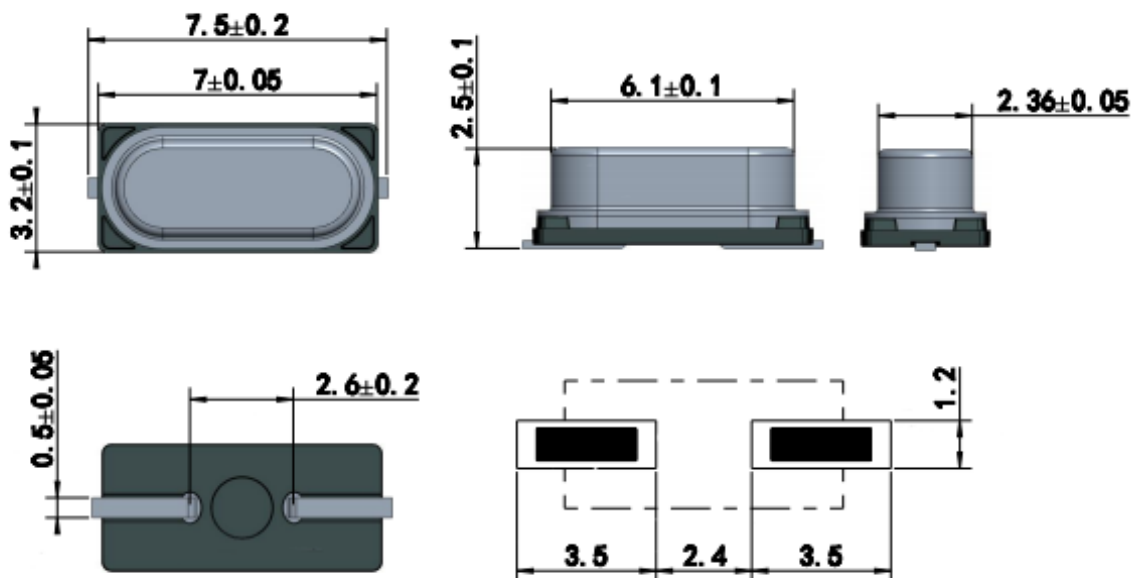


ZHEJIANG A-CRYSTAL

ELECTRONIC TECHNOLOGY CO., LTD.



1.2 Dimension (Unit: mm)

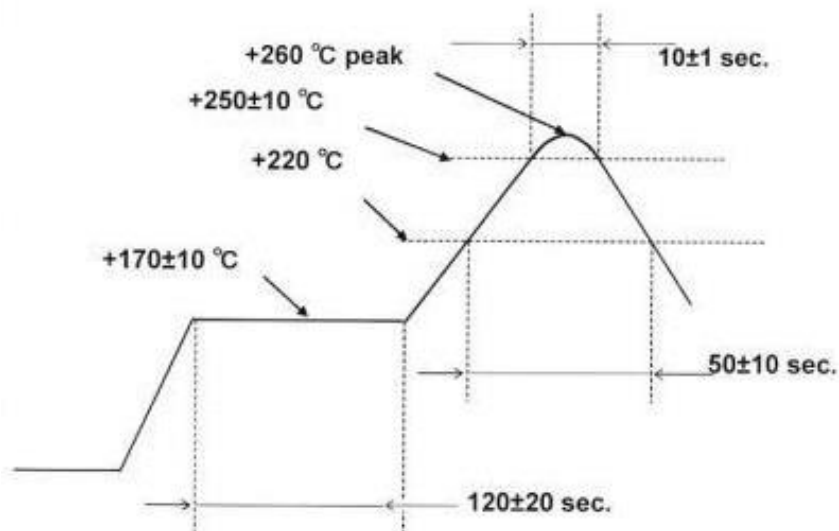


1.3 Marking:





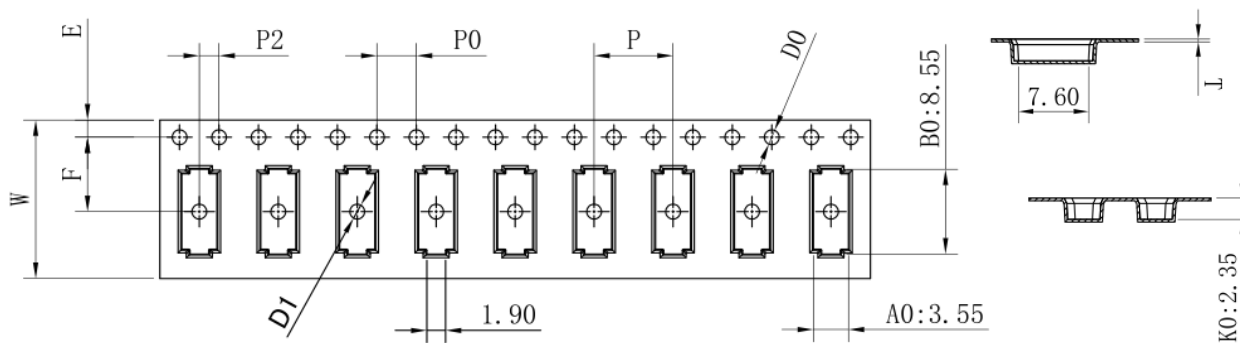
1.4 Reflow solder



注：手动焊接 350℃最大值 4 秒，不可超声波焊接，上图使用的温度是指电路板上的温度，允许回流 1 次；

2.PACKING

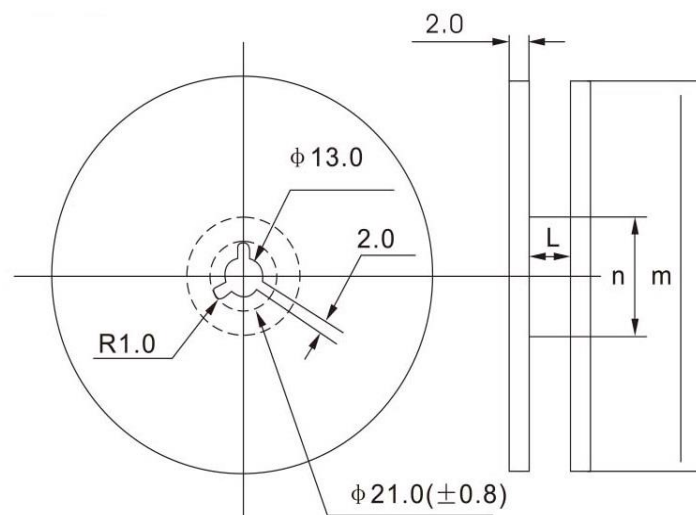
2.1 Packing Method Sketch Map (Unit: mm)



W	T	P	A0	B0	K0	E	F	P0	D0	D1
16.0 \pm 0.20	0.3 \pm 0.06	8.0 \pm 0.10	3.55 \pm 0.10	8.55 \pm 0.10	2.35 \pm 0.10	1.75 \pm 0.10	7.5 \pm 0.10	4.0 \pm 0.10	1.5 \pm 0.10	1.5 \pm 0.10



2.2 Reel Dimensions (Unit: mm)



Pieces per reel	ϕ m	ϕ n	L	Carrier tape size
3000/reel	330 ± 3	100min	16 ± 0.5	20 ± 1.0

3 Products Code

3.1 SMD Crystal Resonators/KHz

公司代码 浙江一品	产品型号 (2位)	工作频率 (全频点位数)	负载电容 (1位字母)	调整频差 (1位字母)	温度频差 (1位字母)	工作温度 (1位字母)	其它
A-crystal Logo	Package	Nominal Frequency	Load Capacitance	Frequency Tolerating	Freq Temp Characteristics	Operating Temperature Range	Others
A	MP (PMX307)	32.768K	无穷大=000	01=5PPM	T=-0.034 ± 0.006ppm/(°C) ²	1=0~50	Special
			9PF=009	02=10PPM	A=10PPM	2=-10~60	
			12PF=012	03=20PPM	B=15PPM	3=-10~70	
			12.5PF=125	04=30PPM	C=20PPM	4=-20~70	
				05=40PPM	D=25PPM	5=-30~85	
				06=50PPM	E=30PPM	6=-40~85	
					F=50PPM	7=-40~105	
						8=-40~125	