



Issue	June 13, 2023
Rev.	1.0
Page	9

## CRYSTAL UNIT SPECIFICATIONS

客户批准 Customer Approval

(请批准后回签一份 Please Return A Copy With Approval)

Customer	
Customer P/N	
Product	<b>CRYSTAL RESONATORS</b>
Spec	<b>PMX206/28.000~54.000MHz</b>
A-Crystal P/N	<b>AM2 Series</b>

Drawn	Checked	Approved
<i>caogaobang</i>	<i>tanglong</i>	<i>huangweilong</i>



**ZHEJIANG A-CRYSTAL**  
ELECTRONIC TECHNOLOGY CO., LTD.



## 1. ELECTRICAL SPECIFICATIONS

### 1.1 Hold Type: PMX-206

No.	Item	Symb	Electrical Specification				Remark
			Min.	Type	Max.	Units	
1	Nominal Frequency	F0	8.000		54.00	MHz	
2	Mode of Vibration		■ Fundamental △3rd Overtone △5th Overtone				
3	Frequency Tolerance	$\Delta F/F0$	$\pm 10$	$\pm 30$	$\pm 50$	ppm	at 25°C $\pm 3$ °C
4	Operating Temperature Range	T <sub>OPR</sub>	-20 -40	-	+70 +85	°C	
5	Frequency Stability	T <sub>C</sub>	$\pm 30$		$\pm 50$	ppm	
6	Storage Temperature	T <sub>STG</sub>	-55	-	+125	°C	
7	Load capacitance	CL	6~specify			pF	
8	Equivalent Series Resistance	ESR	Seepage 1			$\Omega$	
9	Drive Level	DL	-	100	200	$\mu W$	
10	Insulation Resistance	IR	500	-	-	M $\Omega$	At 100V <sub>DC</sub>
11	Shunt Capacitance	Co			5	pF	
12	Aging Per Year	Fa	-5	-	+5	ppm	First Yea
13	Moist are Sensitivity Level	MSL		1			J-STD-033
14	Package type	8.0*3.8*2.4					

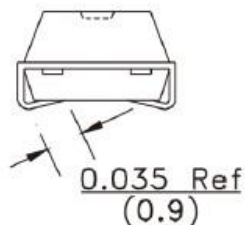
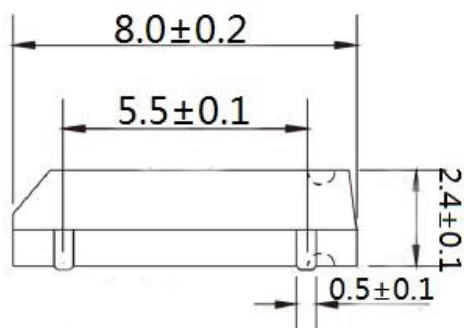
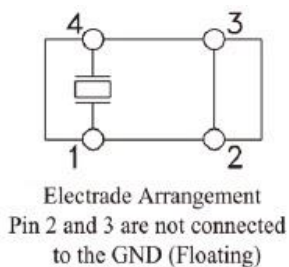
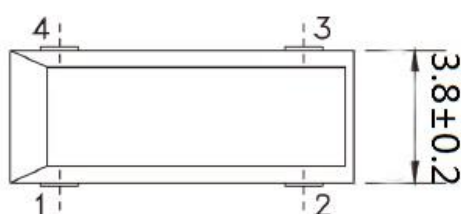
#### Seepage1

Frequency Range(MHz)	Mode of Vibration	ESR( $\Omega$ ) Max
8.000 $\leq$ F0<10.000	AT Fundamental	$\leq 200$
10.000 $\leq$ F0<12.000	AT Fundamental	$\leq 150$
12.000 $\leq$ F0<16.000	AT Fundamental	$\leq 100$
16.000 $\leq$ F0<20.000	AT Fundamental	$\leq 80$
20.000 $\leq$ F0<30.000	AT Fundamental	$\leq 60$
30.000 $\leq$ F0<54.000	AT Fundamental	$\leq 40$

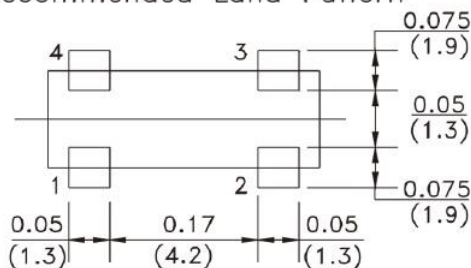
注: ROHS 豁免 ROHS exemption, 高温高铅 high lead and high temperature;



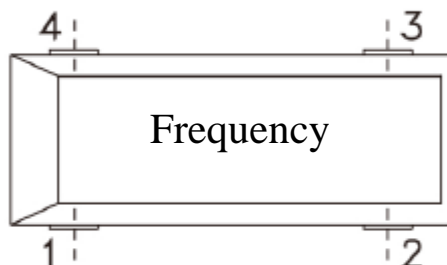
1.2 Dimension (Unit: mm)



Recommended Land Pattern

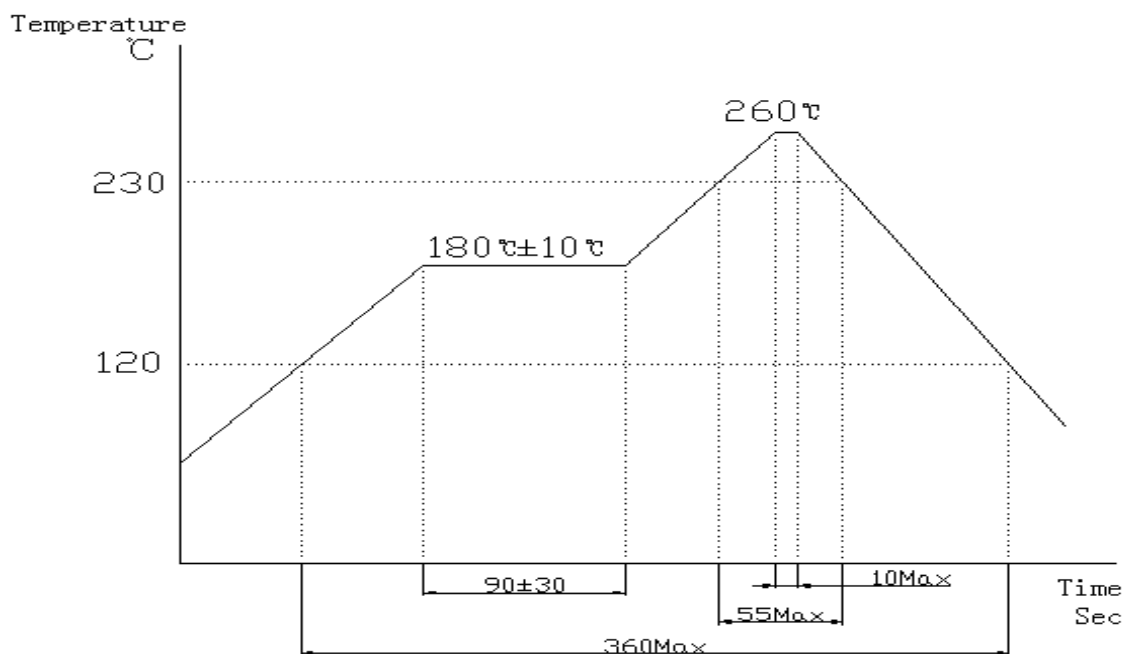


1.3 Marking



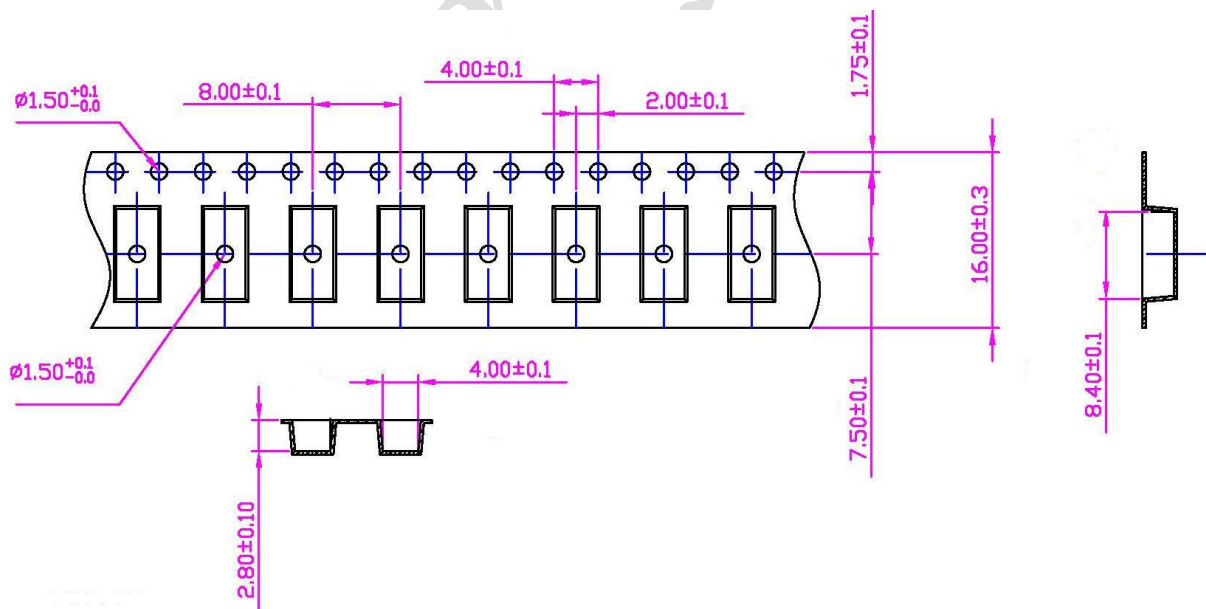


### 1.4 Reflow solder



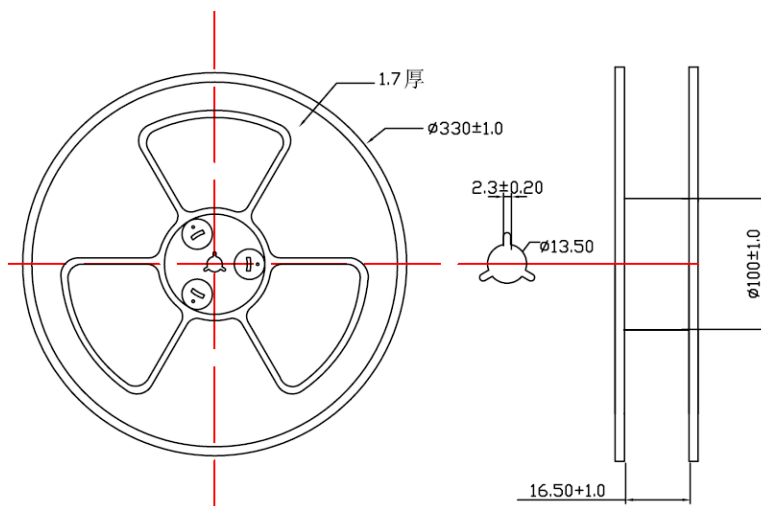
## 2. Packing

### 2.1 Packing Method Sketch Map (Unit: mm)





## 2.2 Reel Dimensions (Unit: mm)



Pieces per reel: 3000/reel

## 3. Products Code

### 3.1 SMD Crystal Resonators/MHz

公司代码 浙江一晶	产品型号 (2位)	工作频率 (全频点位数)	负载电容 (1位字母)	调整频差 (1位字母)	温度频差 (1位字母)	工作温度 (1位字母)	其它
A-crystal Logo	Package	Nominal Frequency	Load Capacitance	Frequency Tolerating	Freq Temp Characteristics	Operating Temperature Range	Others
A	M2 (PMX206)	8.000M	A = 12.5PF	A=10PPM	A=10PPM	A = 0~50	Special
		12.000M	B = 10PF	B=20PPM	B=20PPM	B = -10~60	
			C = 9PF	C=30PPM	C=30PPM	C = -10~70	
			D = 8PF	D=50PPM	D=50PPM	D = -20~70	
			E = 7PF	E=100PPM	E=100PPM	E = -30~85	
			F = 6PF			F = -40~85	
			G = 16PF			G = -40~105	
			H = 18PF			H = -40~125	
			J = 20PF				
			K = 22PF				
			L = 30PF				